

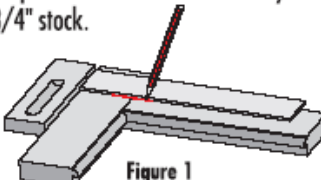
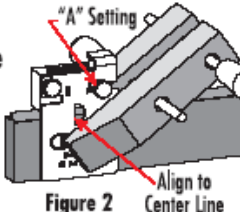
beadLOCK[®]

Loose Tenon Joinery System

Thank you for purchasing the beadLOCK Loose Tenon Joinery System! You'll find that this patented joint will add strength and versatility to your woodworking projects. As always, before using this or any tool, please review the safety guidelines.

Instructions for Use

Making the beadLOCK joint:

1. Consult Safety Guidelines on the next page before proceeding.
2. Adjust for wood thickness. Adjust the beadLOCK jig to desired tenon offset by inserting shim(s) between the block and plate. One 1/32" shim and four 1/16" shims are provided for this adjustment. beadLOCK is factory set to center tenon into 3/4" stock.
3. Dry fit parts together and draw a crisp, thin line across the center of the joint where tenon is desired.  **Figure 1** Disassemble parts.
4. Slide and snug guide block (left) to the "A" setting. Locate beadLOCK jig on part and align the jig with your center line. Clamp jig in place.  **Figure 2** (Your bench vise also works well for securing the jig to the part.)
5. Using a hand drill, drill holes in part to desired depth. (A piece of tape on your bit makes a nice drill stop gauge.) Secure work piece before drilling.
6. Loosen thumbscrews on jig and slide guide block to "B" position. Snug thumbscrews tightly. Drill holes.
7. Repeat steps 4 through 6 for second part.
8. Cut length of tenon stock 1/8" shorter than total mortise depth and glue together.

Safety Guidelines

- Follow manufacturers safety instructions when using power tools.
- Keep long sleeves, jewelry, long hair, loose clothing, etc. away from rotating tools.
- Always wear safety goggles.
- Be sure that drill bit has come to a complete stop before proceeding to drill the next hole.
- Keep your drill bits sharp to reduce drilling effort.

Tips for Best Results

- Slowing drill feed rate on "B" setting will yield cleaner mortises.
- For cleanest mortises, drill "A" setting a second time before unclamping jig. This also aids in mortise clean out.
- Coat both tenon and mortise with glue prior to assembly for maximum strength.
- Glue loose tenon into one piece of stock first on large assemblies. This will reduce the number of parts handled during glue-up.
- Use sharp, conventional twist drill bits for best results. Dull or improperly sharpened bits may drill oversize.
- Store tenon stock in an airtight container to prevent expansion.
- For very thick parts, make your own shims out of scrap wood or plywood.

Guide Block Installation

